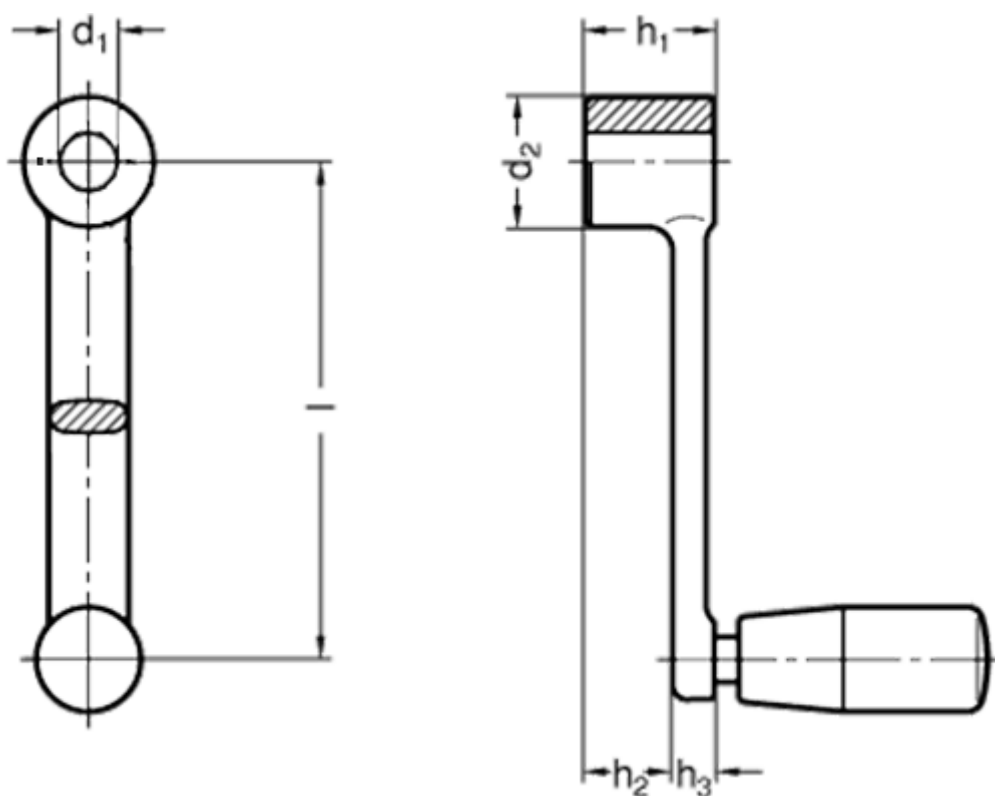


Data Sheet



Article number: 201567300
Description: E+G Crank handle
GN 269-125-B14

Measures



d1	= 14
d2	= 28
h1	= 28
h2	= 18.8
h3	= 9
Handle	= 23
l	= 125